

# PARTS LIST

MX221E

## CONTENTS

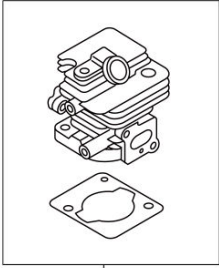
1. PARTS KIT .....	1
2. MAIN BODY .....	3
3. GEAR CASE .....	5
4. ENGINE .....	7
5. RECOIL STARTER .....	11
6. CARBURETOR, FUEL TANK .....	13
7. ACCESSORIES .....	15

2024. 05.

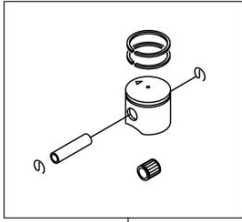


P/N 525690

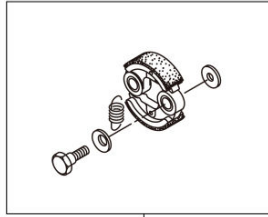
MX221E  
1. PARTS KIT



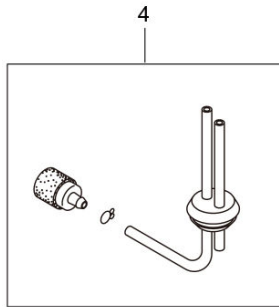
1



2



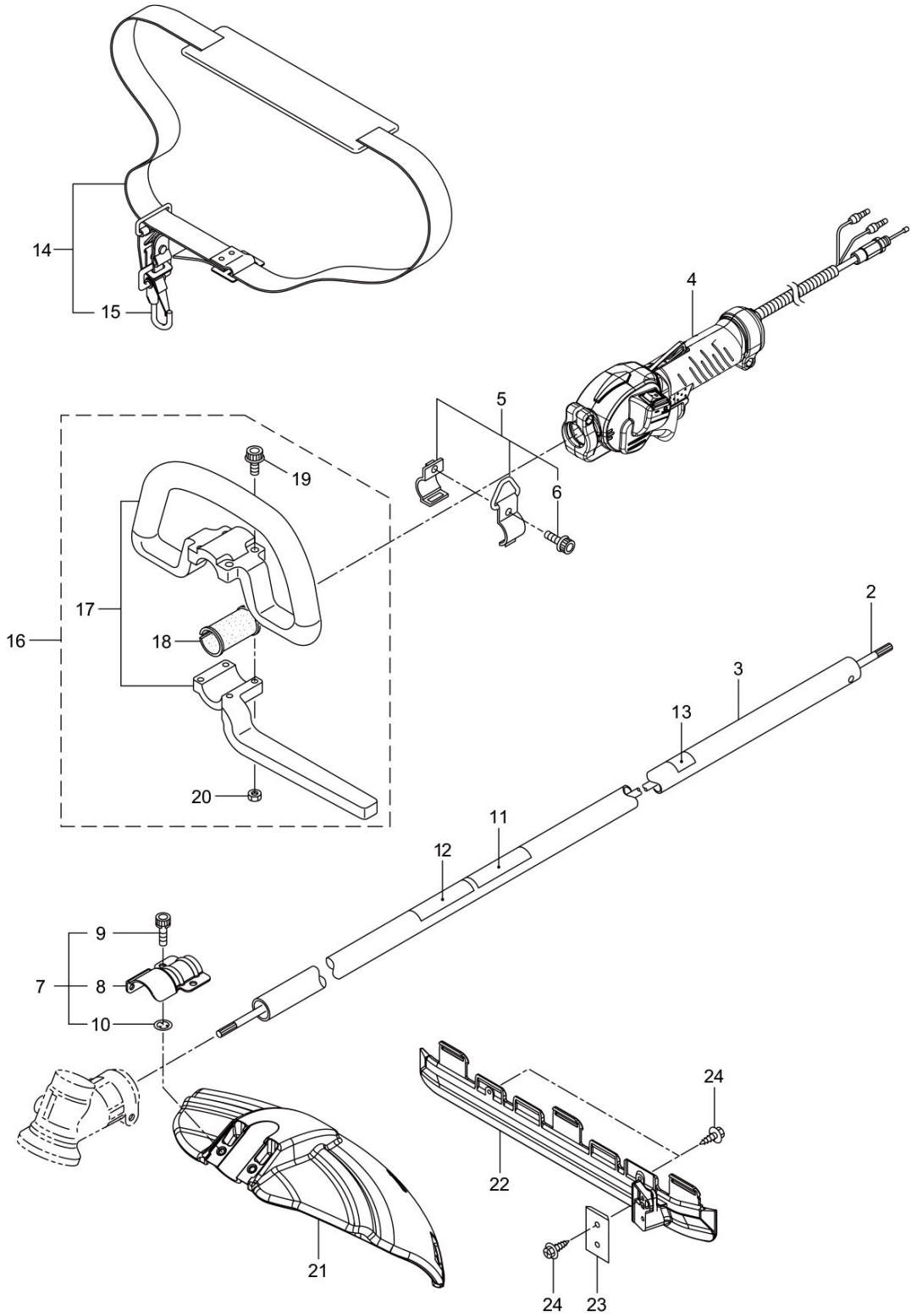
3



4

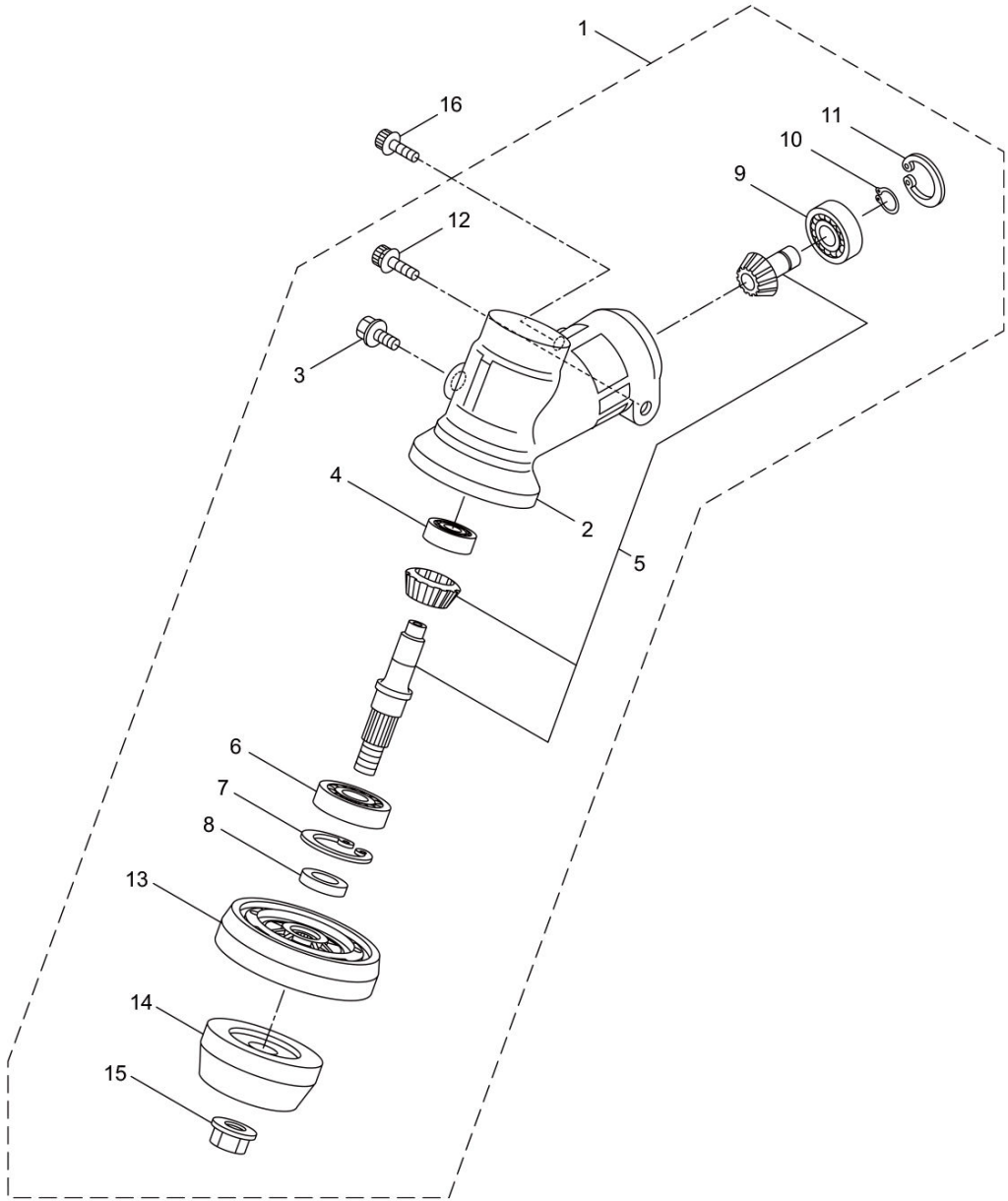
Status	Position	Parts Number	Parts Name	Unit Quantity	Lot Order Quantity	Remarks		Maker code
	1	247684	CYLINDER KIT	1				
	2	247685	PISTON KIT	1				
	3	246924	CLUTCH KIT	1				
	4	247864	FUEL HOSE/FILTER KIT	1	5			

MX221E  
2. MAIN BODY



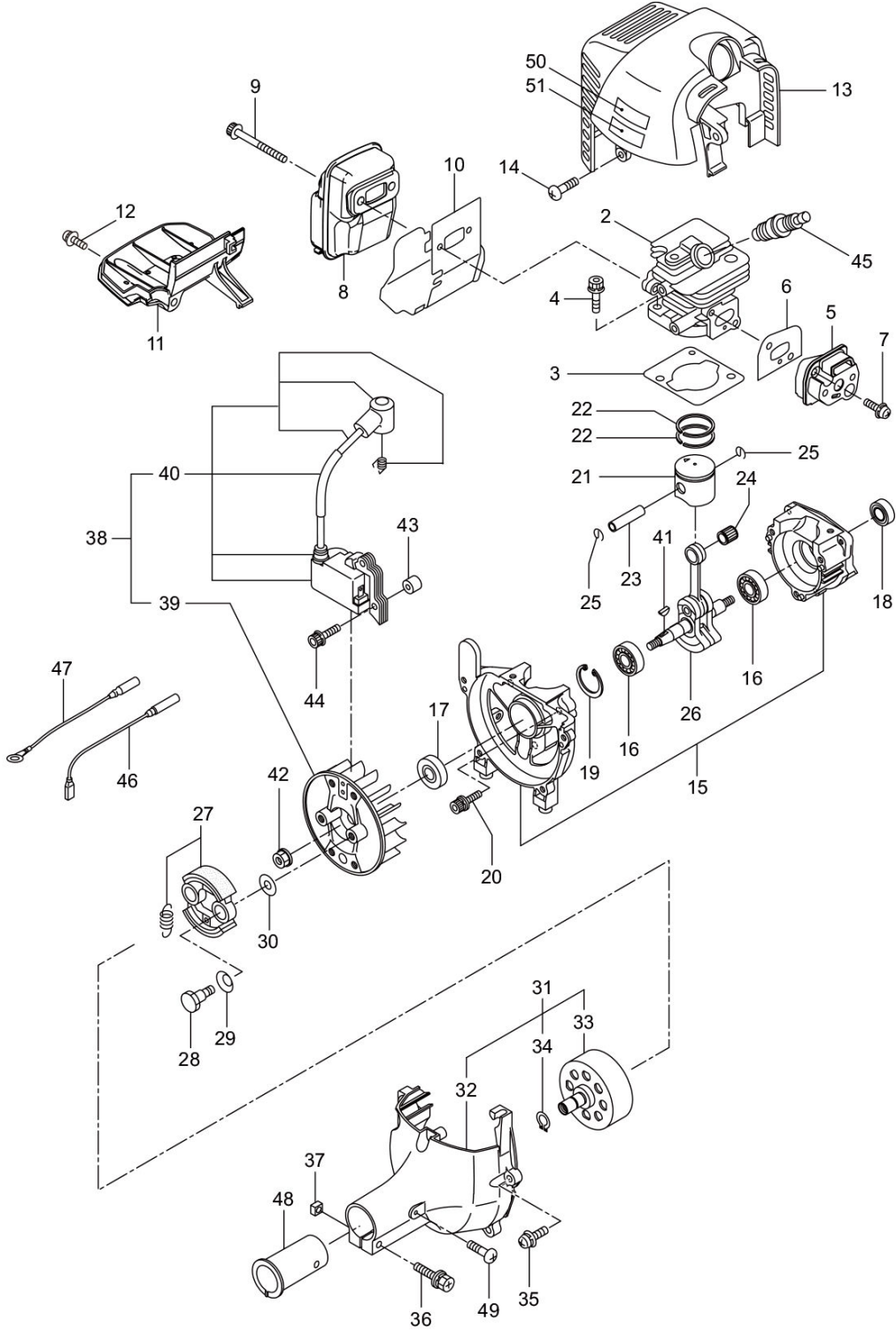
Status	Position	Parts Number	Parts Name	Unit Quantity	Lot Order Quantity	Remarks	Maker code
	1	366280	MX221E	1			
	2	226546	DRIVESHAFT	1			
	3	560425	OUTER SHAFT	1			
	4	560427	THROTTLE LEVER ASSY	1			
	5	215533	HANGING BRACKET ASSY	1		Incl.6	
	6	261762	SCREW	1	10	M5x14	
	7	560409	BRACKET	1		Incl.8-10	
	8	560410	BRACKET	1			
	9	271437	SCREW	2	5	M6x20	
	10	231704	WASHER	2		6x13xt1.0	
	11	561957		1		MX221E	
	12	562039		1		112dB	
	13	215501	LABEL	1			
	14	220533	SHOULDER STRAP ASSY	1		Incl.15	
	15	231657	HOOK	1			
	16	224324	LOOP HANDLE ASSY	1		Incl.17-20	
	17	222520	LOOP HANDLE	1			
	18	213171	HANDLE BRACKET RUBBER	1			
	19	215608	CAP SCREW	4	10	M5x30x16	
	20	081027	NUT	4	10	M5	
	21	560420	COVER	1			
	22	234999	EXTENSION	1			
	23	230747	CORD CUTTER	1			
	24	232689	SCREW	3	5	M5x16	

MX221E  
3. GEAR CASE



Status	Position	Parts Number	Parts Name	Unit Quantity	Lot Order Quantity	Remarks	Maker code
	1	241689	GEAR CASE ASSY	1		Incl.2-15	
	2	226284	GEAR HOUSING	1			
	3	225897	BOLT	1	10	M6x8	
	4	226285	BEARING #626	1		#626	
	5	227108	GEAR SET	1			
	6	112184	BEARING 6000DDU	1		#6000DDU	
	7	054676	RING SNAP	1	5	#26	
	8	225898	WASHER	1		10x16xt2.6	
	9	226286	BEARING	1		#609ZZ	
	10	228477	C-SHAPED RING	1	5	#9	
	11	140270	C-SHAPED SNAP RING	1	5	#24	
	12	261246	CAP SCREW	1	10	M5x25	
	13	225891	BOSS ADAPTER	1			
	14	225892	BOSS B	1			
	15	225893	NUT	1	5	M8	
	16	261233	SCREW	1	10	M5x12	

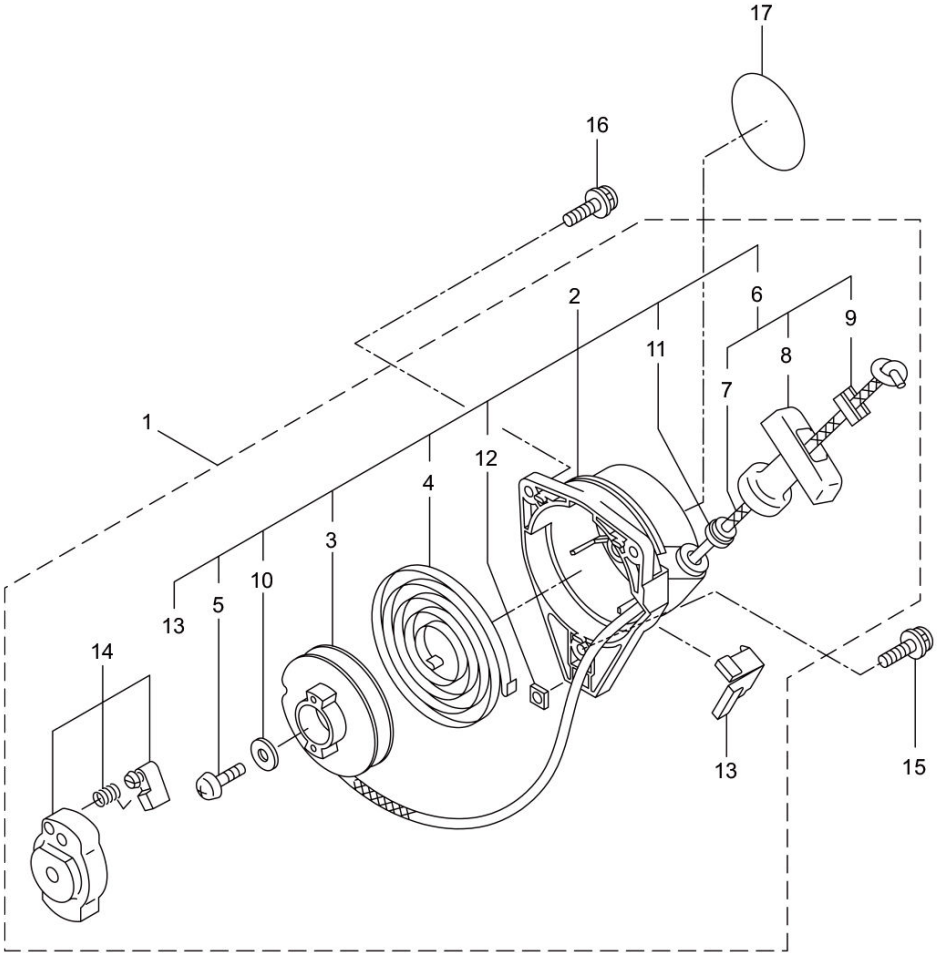
MX221E  
4. ENGINE



Status	Position	Parts Number	Parts Name	Unit Quantity	Lot Order Quantity	Remarks		Maker code
	1	875852		1		EE232TH/04		
	2	278641	CYLINDER	1				
	3	289643	GASKET	1				
	4	267290	CAP SCREW	2	5	M5x20		
	5	272744	INSULATOR	1		New gasket required		
	6	267049	GASKET	1	5			
	7	269826	SCREW	2	10	M5x25		
	8	246656	MUFFLER ASSY	1				
	9	266402	CAP SCREW	2	5	M5x55		
	10	247073	GASKET	1				
	11	276868	UNDER COVER	1				
	12	269827	SCREW	1	5	M5x16		
	13	247226	TOP COVER COMP	1				
	14	280144	TAPPING SCREW	1	10	4X16		
△	15	273674	CRANKCASE	1				
	16	280488	BEARING 6001C3	2		6001 C3		
	17	261492	OIL SEAL	1		ISCD12287		
	18	261386	OIL SEAL	1		ISCD12227		
	19	055185	SNAP RING #28	1	5	H28		
	20	261612	CAP SCREW	3	10	M5x30		
	21	272204	PISTON	1				
	22	264891	PISTON RING	2		(2)required		
	23	261036	PISTON PIN	1				
	24	288520	NEEDLE BEARING	1				
	25	261576	CLIP PISTON	2				
	26	274146	CRANK SHAFT	1				
	27	280375	CLUTH ASSY	1				
	28	264505	BOLT	2				
	29	261777	WAVE WASHER	2	10			
	30	261189	WASHER	2	10	6x16.5xt1.2		
	31	563534	FAN COVER ASSY(TH)	1		Incl.32-34		
	32	555477	FAN COVER	1				
	33	289727	CLUTCH DRUM	1				
	34	014210	SNAP RING	1	5	#10		
	35	269831	SCREW	4	5	M5x20		
	36	280477	CAP SCREW	1	5	M5x28		
	37	269423	NUT	1	10			
	38	277796	MAGETO ASSY	1		Incl.39,40		
	39	277797	ROTOR	1				
	40	277798	IGNITION COIL ASSY	1				
	41	261076	WOODRUFF KEY 3X10	1	5	3x10		

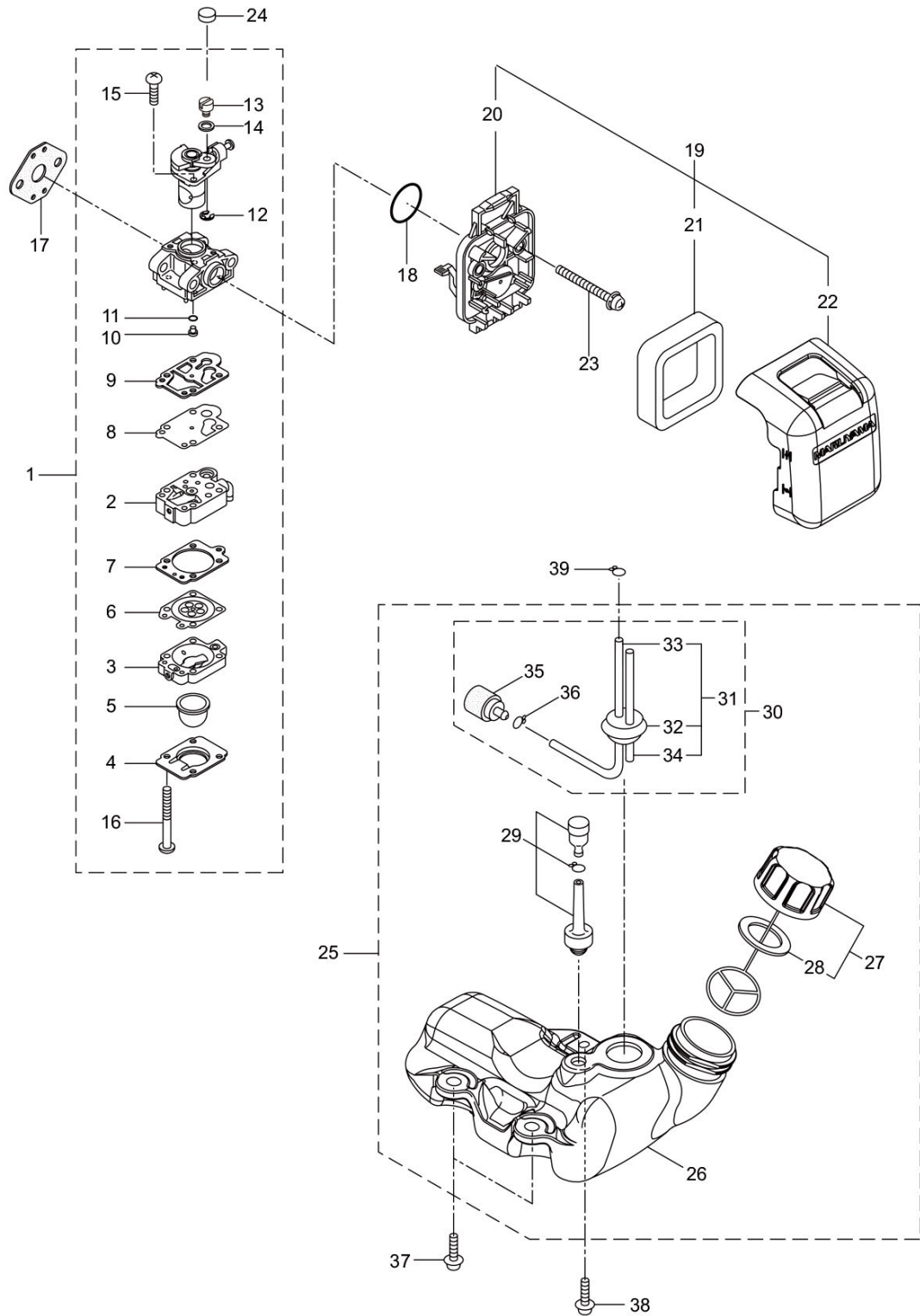
Status	Position	Parts Number	Parts Name	Unit Quantity	Lot Order Quantity	Remarks		Maker code
	42	261417	NUT ROTOR M8	1	5	M8		
	43	280381	SPACER	2	5			
	44	261256	BOLT	2	10	M4x25		
	45	288264	SPARK PLUG	1		BPMR8Y		
	46	263804	WIRE COIL	1				
	47	282880	WIRE LEAD	1				
	48	269991	CUSHION	1				
	49	282403	SCREW	1	10	M4x14		
	50	284587	LABEL	1				
	51	564407		1				

MX221E  
5. RECOIL STARTER



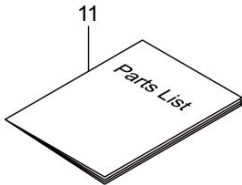
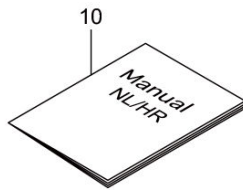
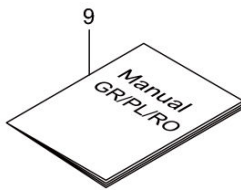
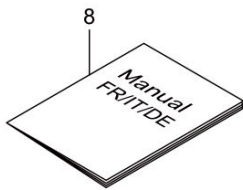
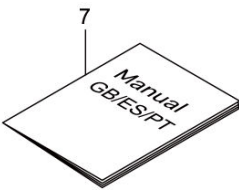
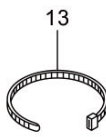
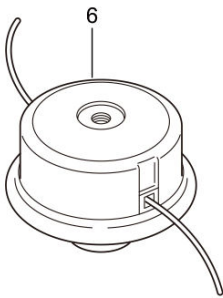
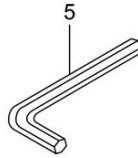
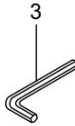
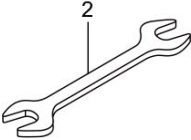
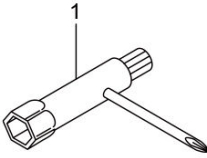
Status	Position	Parts Number	Parts Name	Unit Quantity	Lot Order Quantity	Remarks		Maker code
△	1	280419	RECOIL STARTER ASSY	1		Incl,2-14		
	2	273093	STARTER ASSY	1		Incl,3-13		
	3	280492	REEL	1				
	4	287421	SPRING	1				
	5	280494	SCREW SET	1	5			
	6	280495	ROPE ASSY	1		Incl,7-9		
	7	283616	STARTER ROPE	1				
	8	280497	STARTER KNOB	1				
	9	280550	STOPPER	1				
	10	280547	WASHER	1	10			
	11	280548	COLLAR	1				
	12	269423	NUT	1	10			
	13	288500	PLATE	1				
	14	287399	STARTER PULLEY ASSY	1				
	15	269833	SCREW	1	5	M4x16		
	16	280489	SCREW	2	10	M4x20		
	17	563532	RECOIL LABEL	1		EE232		

MX221E  
 6. CARBURETOR, FUEL TANK



Status	Position	Parts Number	Parts Name	Unit Quantity	Lot Order Quantity	Remarks	Maker code
	1	555924	CARBURETOR ASSY	1		Incl.2-16	
	2	279518	PUMP BODY	1			
	3	279525	PURGE BODY	1			
	4	279526		1			
	5	279527	PRIMER	1			
	6	279528	DIAPHRAGM	1			
	7	279529	GASKET	1			
	8	555910	DIAPHRAM	1			
	9	279535	DIAPHRAGM	1			
	10	555906		1			
	11	279534		1	5		
	12	279531		1			
	13	279532		1			
	14	279539		1	5		
	15	279537		2	5		
	16	279538		4	5		
	17	261864	GASKET	1	5		
	18	264691	O-RING	1	5		
	19	563411	CLEANER ASSY	1		Incl.20-22	
	20	266433	HOUSING ASSY	1			
	21	264695	FILTER	1			
	22	277553	CLEANER COVER	1			
	23	563794		2		M5x60	
	24	280020	CAP	1	5		
	25	273515	TANK ASSY	1		Incl.26-36	
	26	563466	FUEL TANK CAP ASSY	1			
	27	275306	FUEL TANK CAP ASSY	1		Incl.28	
	28	274875	PACKING	1			
	29	261696	BREATHER ASSY	1			
	30	265752	FUEL PIPE ASSY	1		Incl.31-36	
	31	264031	FUEL PIPE ASSY	1		Incl.32-34	
	32	288192	GROMMET	1			
	33	261690	FUEL PIPE	1		160L	
	34	288194	RETURN PIPE	1		3x6x85	
	35	277887	FILTER ASSY	1			
	36	261117	CLIP	1			
	37	269828	SCREW	2	5	M5x16	
	38	281208	SCREW	1	10	M5x16	
	39	261117	CLIP	1			

MX221E  
7. ACCESSORIES



Status	Position	Parts Number	Parts Name	Unit Quantity	Lot Order Quantity	Remarks	Maker code
	1	210418	BOX SPANNER	1		13x19x(+)	
	2	022865	DOUBLE-ENDED SPANNER	1		8x10	
	3	219431	SPANNER	1		3mm	
	4	219432	WRENCH	1		4mm	
	5	219433	WRENCH	1		5mm	
	6	232226	SEMI-AUTO HEAD 4	1			
	7	561959		1		GB/ES/PT	
	8	561960		1		FR/IT/DE	
	9	561961		1		GR/PL/RO	
	10	561962		1		NL/HR	
	11	525690		1		MX221E	
	12	560251	TUBE	1		60L	
	13	685048	BAND	1	10	CV-150B	